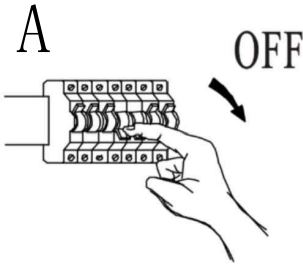
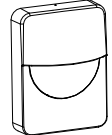



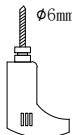
**A**





OFF



98705  x1

 x1

  $\phi 6\text{mm}$

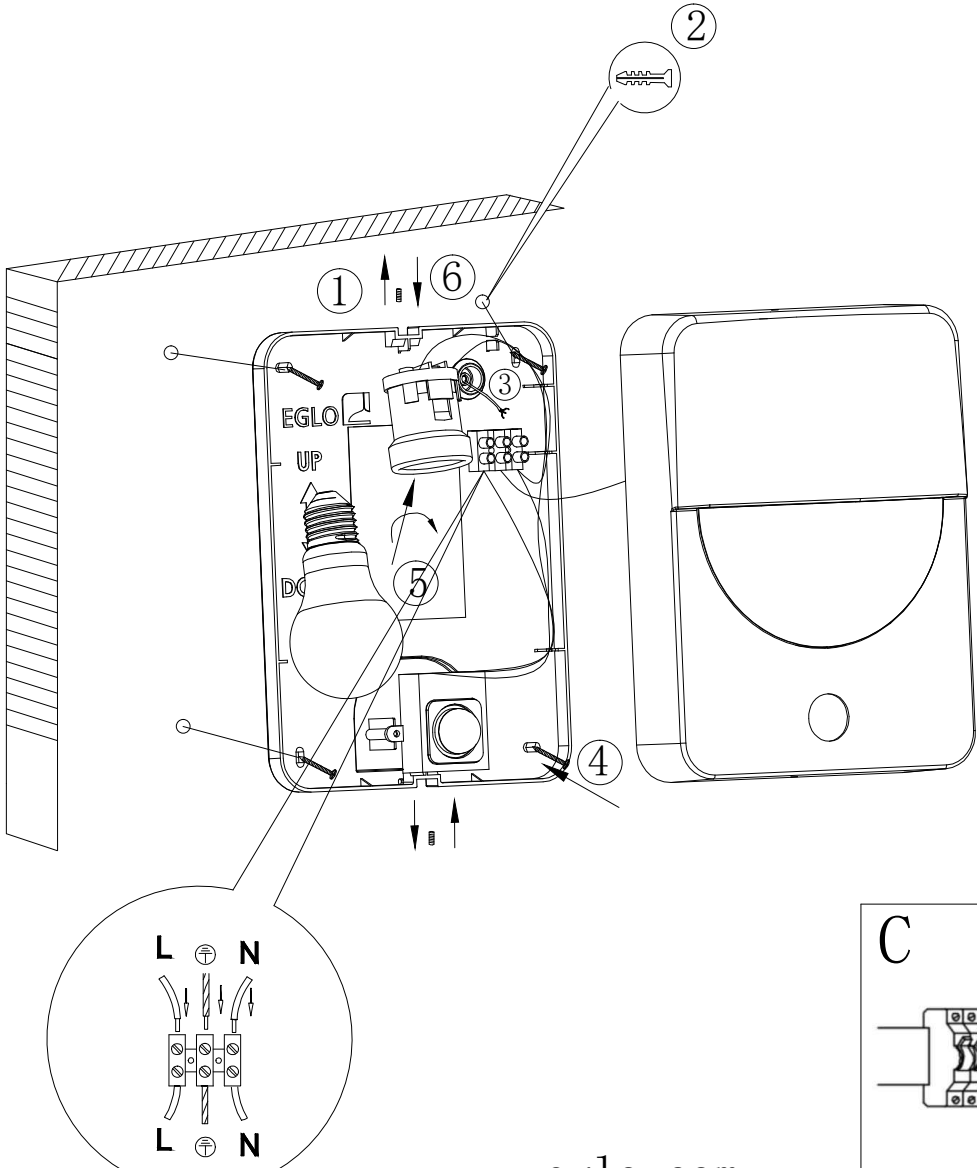
 x4

 x4

Not included

**B**



1 2 3 4 5 6

EGLO

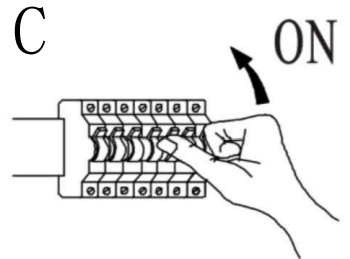
UP

DC

L N

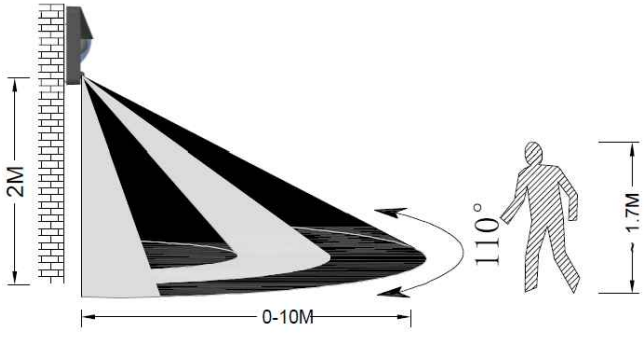
L N

**C**



ON

[www.eglo.com](http://www.eglo.com)

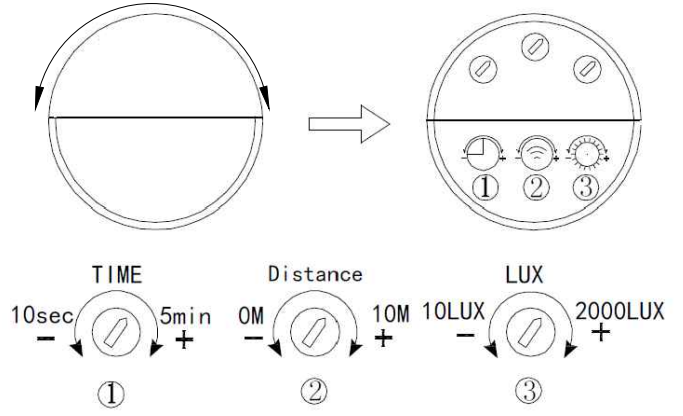


2M

0-10M

110°

1.7M



① ② ③

TIME

10sec - + 5min

Distance

OM - + 10M 10LUX

LUX

- + 2000LUX